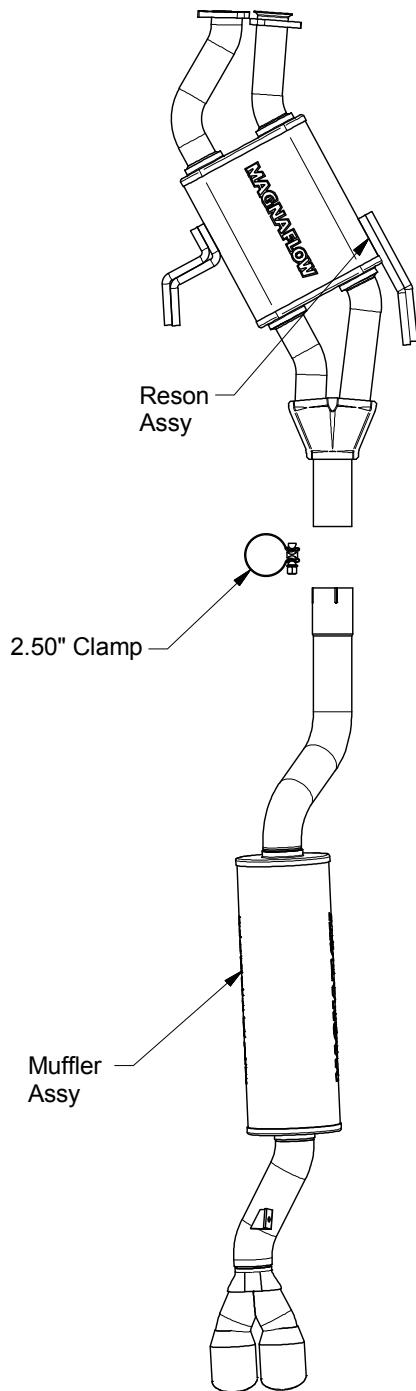


### 1985-1988 BMW 535 3.5L



**Warning** When working on, under, or around any vehicle exercise caution. Please allow the vehicle's exhaust system to cool before removal, as exhaust system temperatures may cause severe burns. If working without a lift, always consult vehicle manual for correct lifting specifications. Always wear safety glasses and ensure a safe work area. Serious injury or death could occur if safety measures are not followed.

**Step 1:** (Carefully read all instructions before installation). To remove your OEM exhaust system, begin by unbolting the exhaust inlet flanges from the catalytic converter and unbolt/remove the hangers from the rubber isolators making sure to retain all hardware as it will be needed to install your new MAGNAFLOW performance exhaust system.

**Step 2:** Install your new exhaust system by bolting the Resonator Assembly to the catalytic converter and locate the hangers to the rubber isolator. Slip the inlet of the Muffler Assembly over the outlet of the inlet pipe assembly using the supplied 2.50" clamp to secure. Use the OEM hardware to secure the muffler assembly.

**Step 3:** With all components mounted loosely, adjust the system for overall aesthetics and clearance of frame & bodywork. (MAGNAFLOW recommends at least 1/2" of clearance between the exhaust system and any body panels to prevent heat-related body damage or fire.)

**Step 4:** Once a final position has been chosen for the new system, evenly tighten all fasteners from front to rear. The supplied band clamps must be VERY tight to properly align the pipes and prevent leaks (Approximately 40ft-lbs). U-bolt clamps should be tightened to approximately 30-35ft-lbs. Inspect all fasteners after 25-50 miles of operation and retighten if necessary.

**\*\* Magnaflow Performance Exhaust recommends professional installation on all their products**