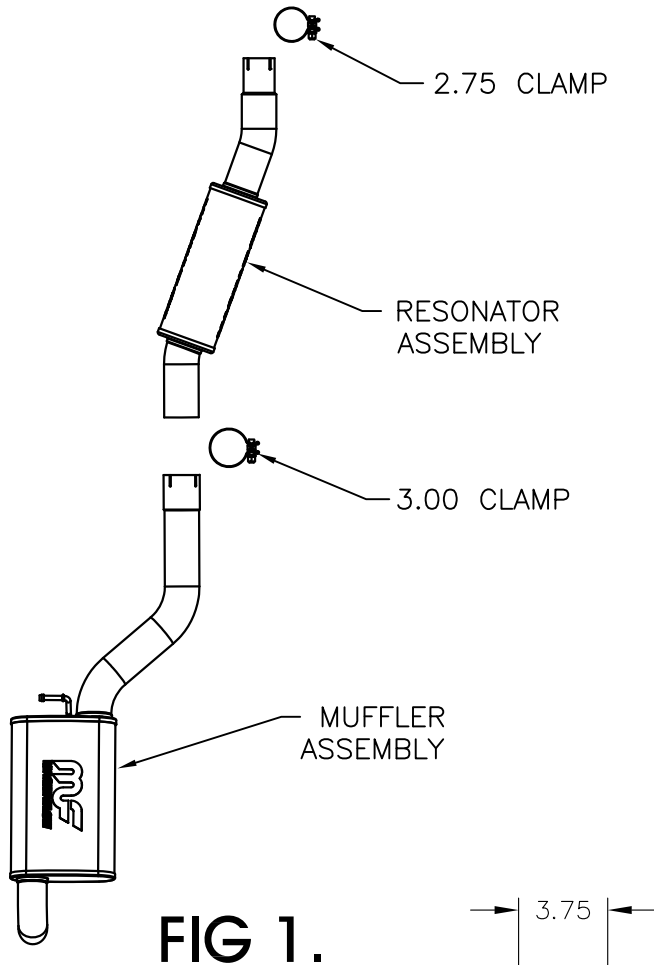


1999-2000 BMW 540i 4.4L



**Warning:** When working on, under, or around any vehicle exercise caution. Please allow the vehicle's exhaust system to cool before removal, as exhaust system temperatures may cause severe burns. If working without a lift, always consult vehicle manual for correct lifting specifications. Always wear safety glasses and ensure a safe work area. Serious injury or death could occur if safety measures are not followed.

**Step 1:** (Carefully read all instructions before installation) Disconnect the vehicle's battery before removal of the OEM exhaust. This will allow the computer to reset itself with the new system, and prevent electrical accidents.

**Step 2:** It is required to cut the factory exhaust to remove it and install the Magnaflow Catback system. To do this Measure 3.75" back from the weld on the Y-pipe behind the catalytic converters and cut (see fig 1.) Once this is done unfasten the hangers from the rubber insulators and carefully removing the complete assembly (retain the rubber insulators as they will be needed to install your new MAGNAFLOW system).

**Step 3:** Lay out your new system before you start the installation process to check orientation of the assemblies. First install the new Resonator Assembly to the cut catalytic converter pipe using the supplied 2.75" clamp. Next mount the Muffler Assembly to Resonator Assembly using the supplied 3.00" clamp and complete installation by attaching the hangers to the OEM rubber insulators.

**Step 4:** Once a final position has been chosen for the new system, evenly tighten all fasteners from front to rear. The supplied band clamps must be VERY tight to properly align the pipes and prevent leaks (Approximately 40ft-lbs). Inspect all fasteners after 25-50 miles of operation and retighten if necessary.

\*MAGNAFLOW Performance Exhaust recommends professional installation on all their products

Technical support: 1-800-959-9226 ext. 4500