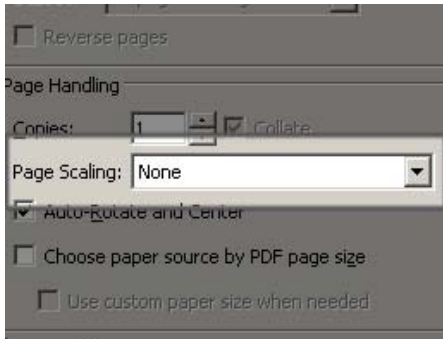


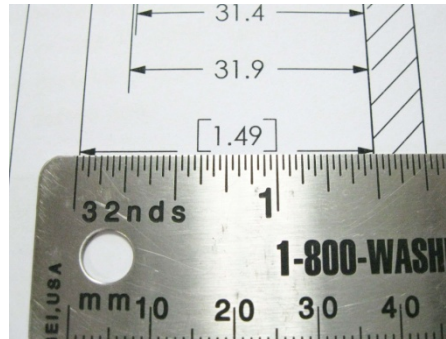
# STOPTECH

## HIGH PERFORMANCE BRAKE SYSTEMS

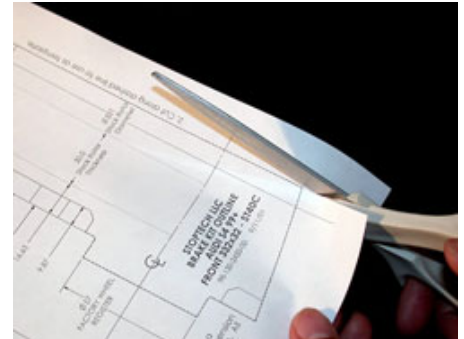
### WHEEL FITMENT INSTRUCTIONS



1. Print a copy of the drawing, making sure that the “Page Scaling” is set at “none.” (or make sure “Scale” is at “100%”)



2. Check dimensions both vertically and horizontally to confirm it has been printed to scale.



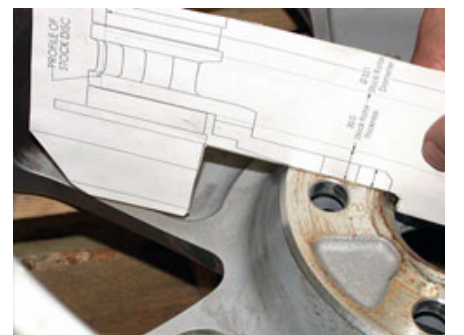
3. Cut the drawing just outside the dotted line.



4. Glue the drawing to a stiffer piece of material such as a manila folder to make the template easier to use. Finish by cutting directly along the dotted line.



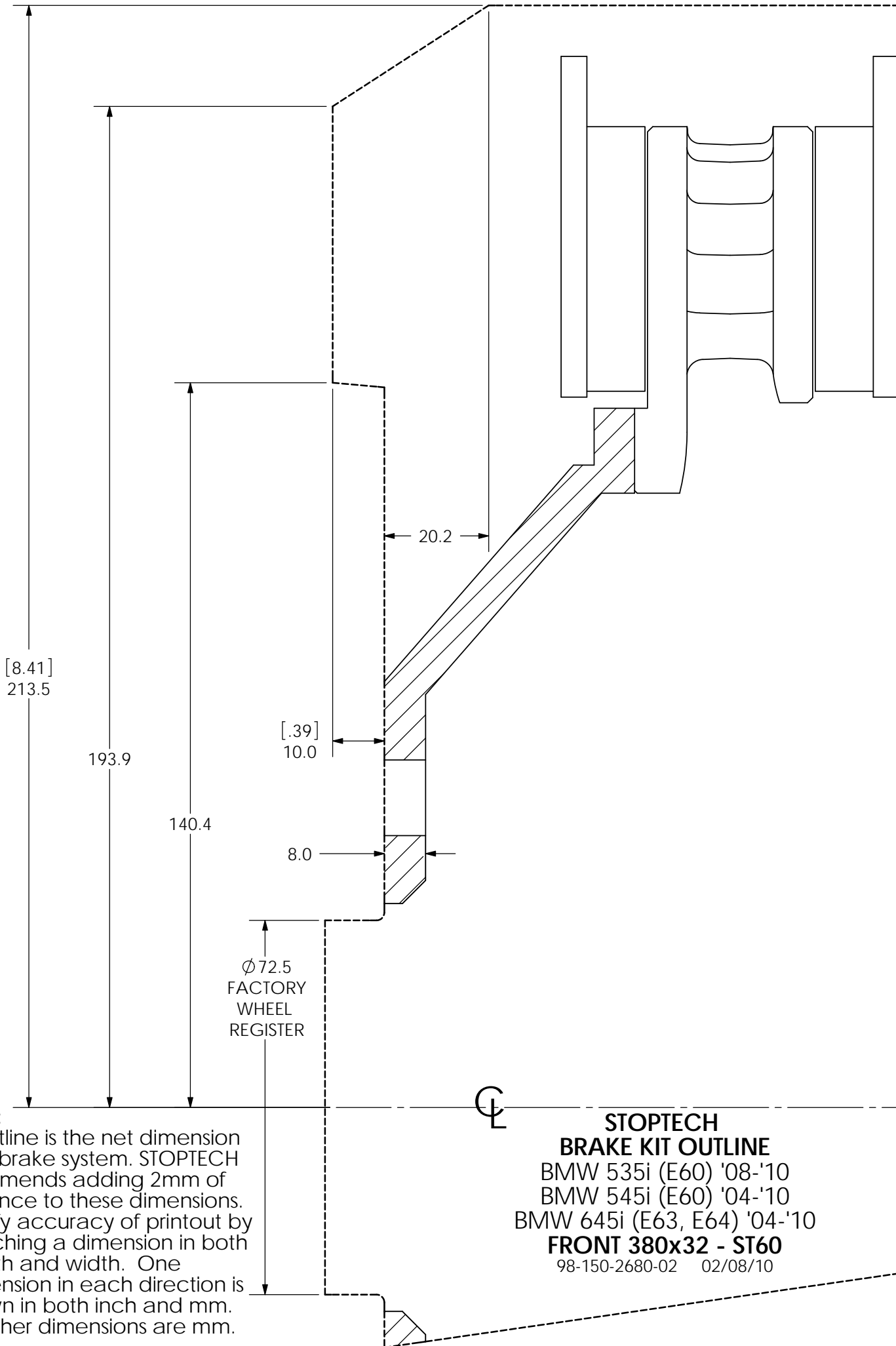
5. Lay the template inside the wheel as shown.



6. Verify that the edge of the caliper does not touch the rim or the wheel spokes. A minimum clearance of 2mm (0.080”) is recommended.

If there is interference, different wheels or a spacer will be necessary. Use of a wheel spacer is at the discretion of the vehicle owner. Typically a properly made spacer of 2-3mm will not adversely affect the vehicle. Issues that must be addressed before utilizing a wheel spacer include, but are not limited to, fender clearance, proper wheel bolt or stud length, effect on vehicle handling, and centering of the wheel. Wheel fitment and the use of wheel spacers with our big brake upgrades is the responsibility of the customer.

If you have any questions, please e-mail [support@stoptech.com](mailto:support@stoptech.com) or call +1 310-933-1100.



2. Cut along dashed line to use as template.

**NOTES:**

This outline is the net dimension of the brake system. STOPTECH recommends adding 2mm of clearance to these dimensions.  
 1. Verify accuracy of printout by matching a dimension in both length and width. One dimension in each direction is shown in both inch and mm. All other dimensions are mm.

CL

**STOPTECH**

**BRAKE KIT OUTLINE**

BMW 535i (E60) '08-'10  
 BMW 545i (E60) '04-'10  
 BMW 645i (E63, E64) '04-'10

**FRONT 380x32 - ST60**

98-150-2680-02 02/08/10